

Refurbish American/Canadian 200 & 400 Class RefurbishPlus American/Canadian 200 & 400 Class

Technical Information

Refurbish American/Canadian 200 & 400 Class

The Elster Meter Services Refurbish program applies to 200/400 series Elster American or Elster Canadian meters, suggested for units twenty (20) years old and newer.

Standard components replaced are as follows:

- Short Flag Arms, Rivets & Bushings
- Tangent Wrist Pin & Bushing
- Axle and Wheel
- Valve Covers & Valve Guides
- Top Gasket & Top Screws
- H.H. Plate Gasket
- H.H. Plate Screws
- Index Box, Integral Gasket
- Index Box Screws
- Axle Box Assembly

Standard processes include:

- Theft Awareness Inspection
- Pressure Wash
- General "Above the Table" Clean Up
- Lubrication of Flag Rod & Axle Box Grommets
- Regrind of Valve Seat
- Index Test

- Internal Leak Test
- Hydro Pneumatic Test at 5 PSI
- Prove, Bar Code
- Prime & Finish Paint

Optional processes and parts which are available at additional cost:

- Special Hydro Pneumatic Test Pressure Point
- AMR Addition
- Standard to T/C Conversion
- Top Replacement/Conversion Program
- Documented In Testing
- Rebadging, Labeling Additions
- Index Replacement
- Special Packaging Requirements
- Government Sealing (If Applicable)



elster
Meter Services

RefurbishPlus American/Canadian 200 & 400 Class

The Elster Meter Services RefurbishPlus program applies to 200/400 series Elster American or Elster Canadian meters, suggested for units thirty (30) years old and newer.

The Program includes all of the components and processes as performed in Refurbishing, plus the following:

- Axle Box Assembly
- Front Cover Gasket
- Back Cover Gasket
- Lubricate Lower Flag Rod Bearings
- Lubricate Diaphragm Cotter Pins

- Front and Back Cover Screws
- Pressure Test at Badged Maximum Pressure

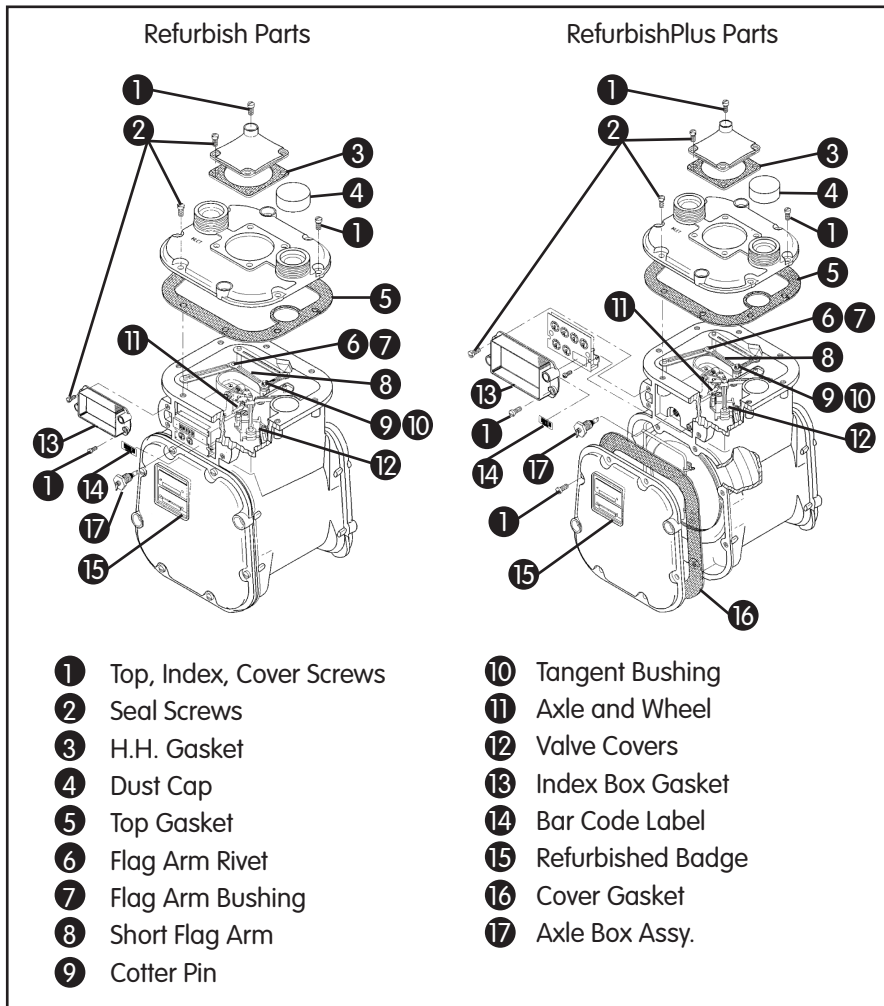
Optional processes and parts which are available in Refurbishing, at additional cost, are also available in the RefurbishPlus program.

About Elster Group

A world leader in advanced metering infrastructure, integrated metering, and utilization solutions to the gas, electricity and water industries. Elster's systems and solutions reflect over 170 years of knowledge and experience in measuring precious resources and energy.

Elster provides solutions and advanced technologies to help utilities more easily, efficiently and reliably obtain and use advanced metering intelligence to improve customer service, enhance operational efficiency, and increase revenues. Elster's AMI solutions enable utilities to cost-effectively generate, deliver, manage, and conserve the life-essential resources of gas, electricity, and water.

Elster has over 7,500 staff and operations in 38 countries in North and South America, Europe, and Asia.



Elster Meter Services
2221 Industrial Road
Nebraska City, NE 68410-6889
USA

T +1 402 873 8200
F +1 402 873 7616

www.elster-meterservices.com

© 2008 Elster Meter Services. All rights reserved.

Information contained herein is subject to change without notice. Product specifications may change. Contact your Elster Meter Services representative for the most current product information. Printed in the United States.

EMS-TI0004.1-EN-P - August 2008
Supersedes EMS-TI0004-EN-P